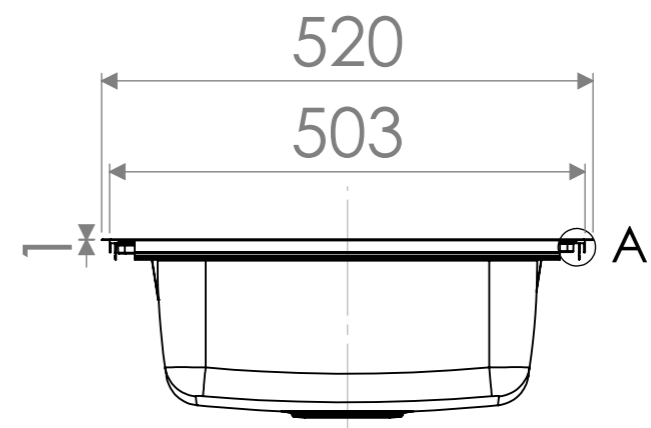
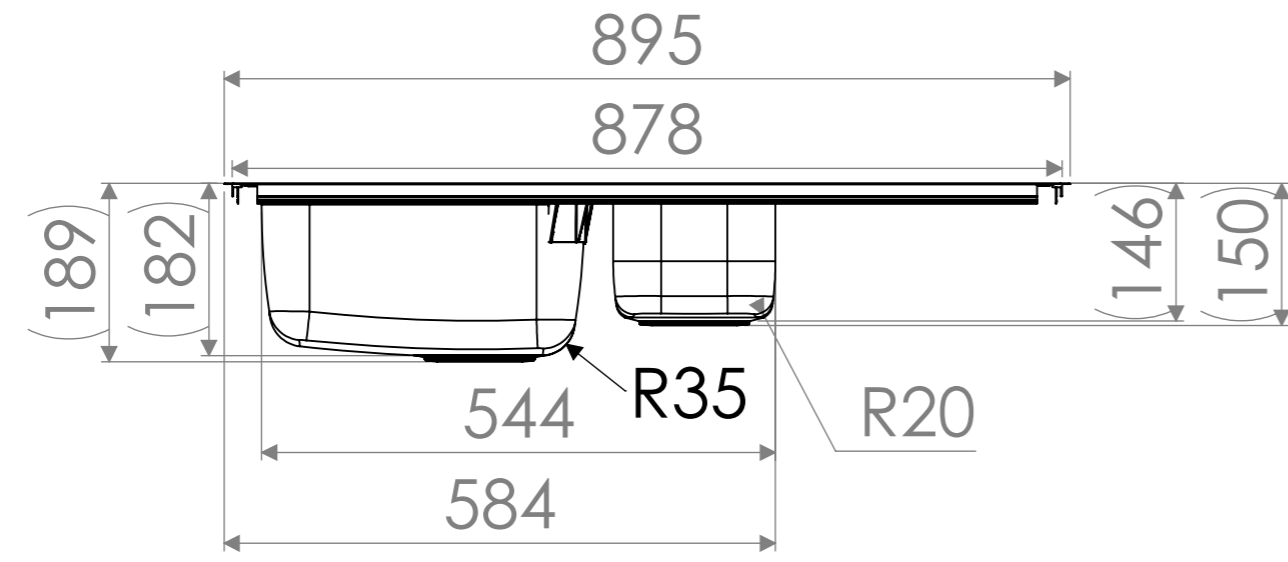


MAIN DIMENSIONS

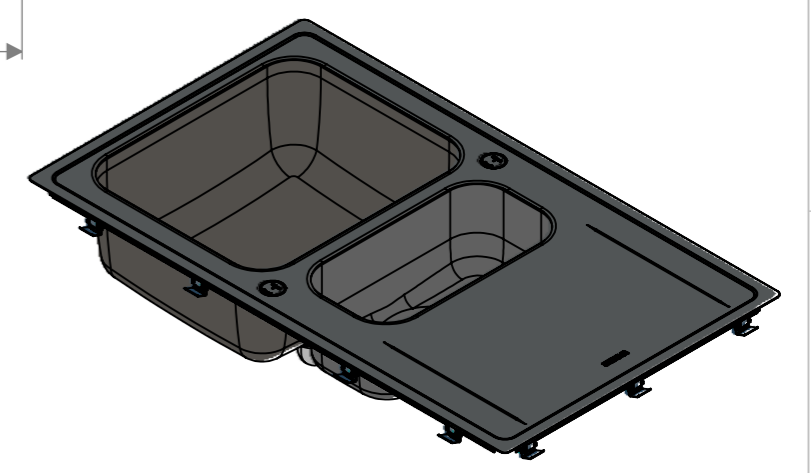
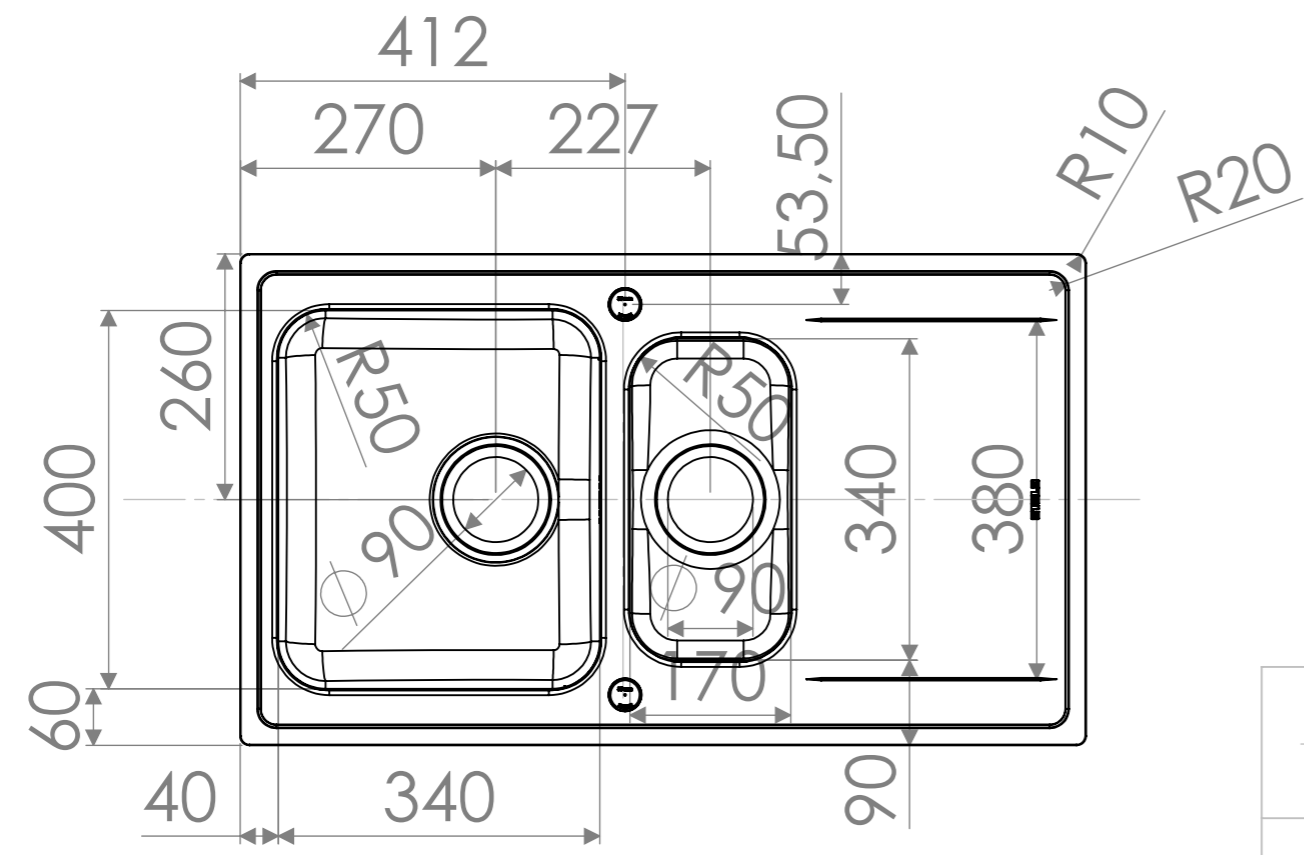
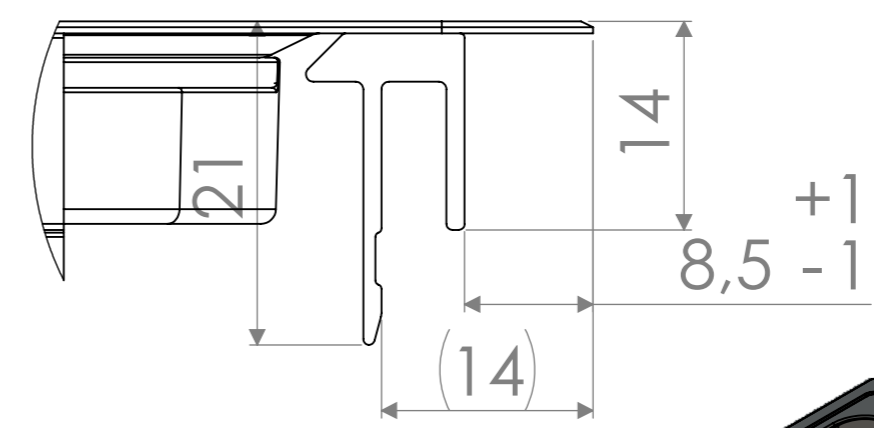
Change description
Siphon updated

Date
11.06.2020

Designed by
VS



A (2:1)



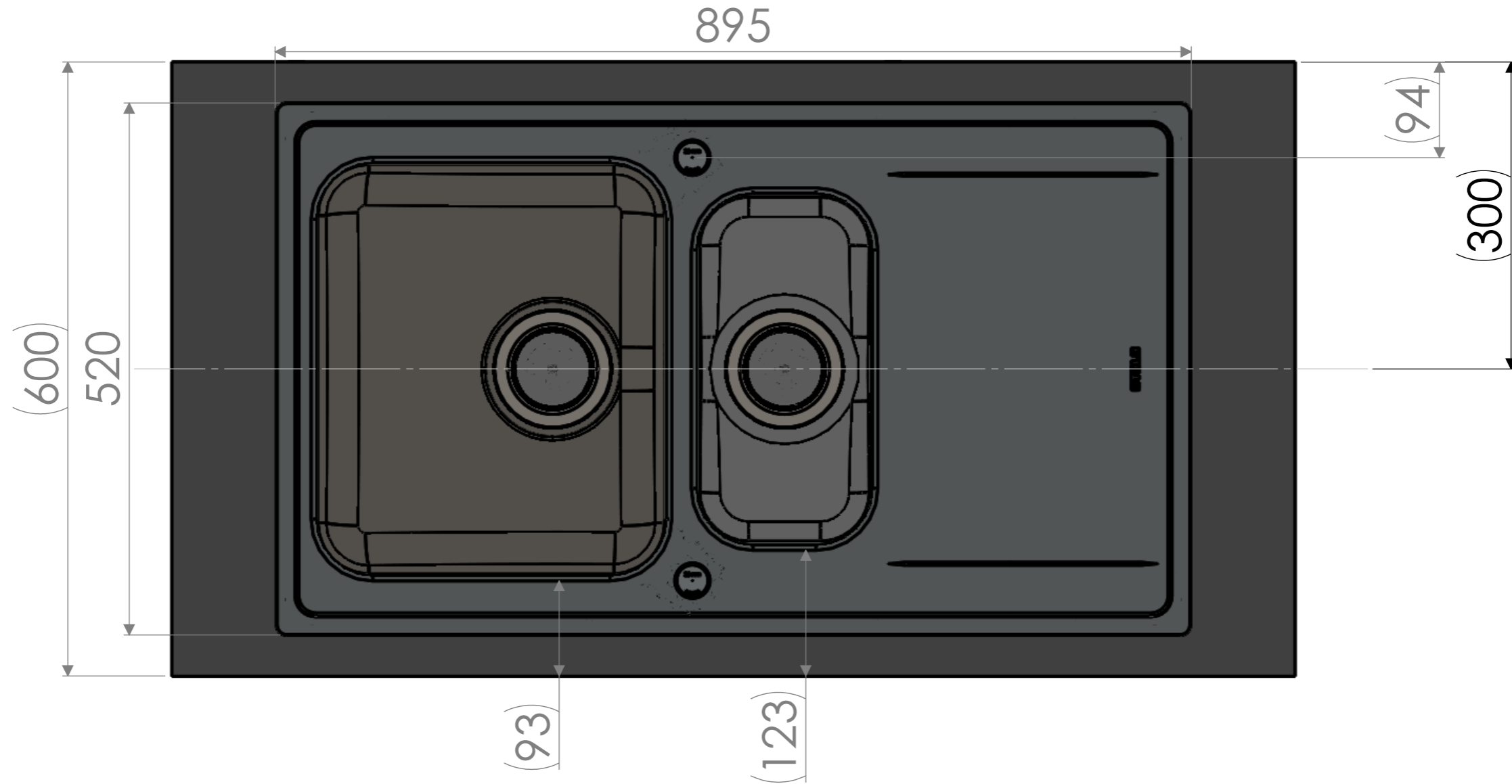
	Mass	32.84 kg	General tolerance	ISO-2768-m	Designed by	JP	Date	18.6.2007
	Size	A3	Scale	1:8	Item	EASE	Approved by	
 www.stala.com	Description			MF-40-17S	Drawing number	10101	Sheet/sheets	1/6
	Technical Data Sheet						Rev	P

WORKTOP ASSEMBLY VIEW

Change description
Siphon updated

Date
11.06.2020

Designed by
VS



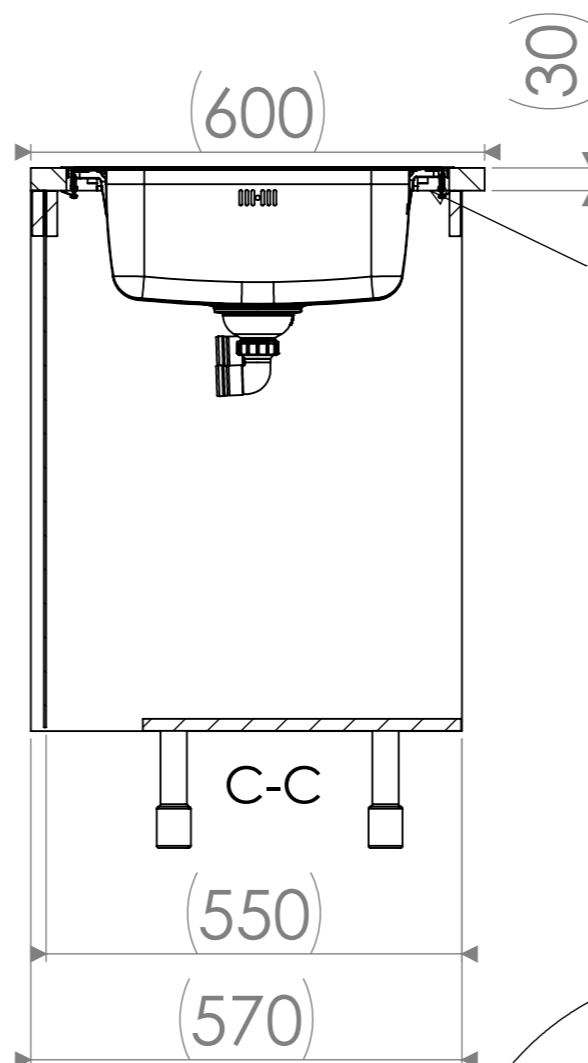
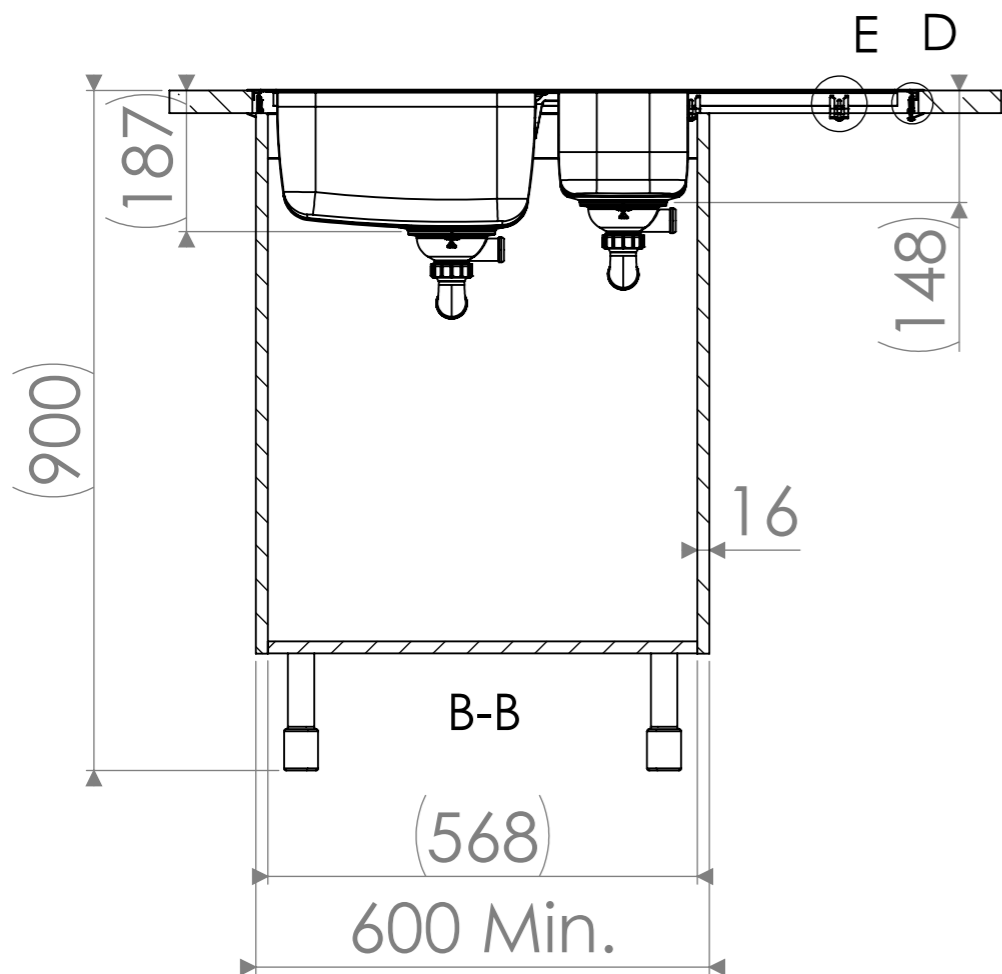
	Mass	32.84 kg	General tolerance	ISO-2768-m	Designed by	JP	Date	18.6.2007
	Size	A3	Scale	1:5	Item	EASE	Approved by	
 www.stala.com	Description		MF-40-17S	Drawing number		10101	Sheet/sheets	2/6
	Technical Data Sheet			Rev		P		

SPACE REQUIREMENTS

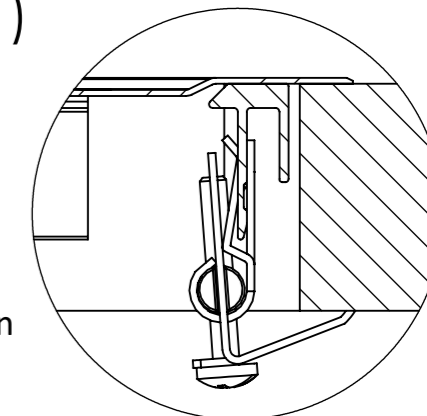
Change description
Siphon updated

Date
11.06.2020

Designed by
VS



D (1 : 1)

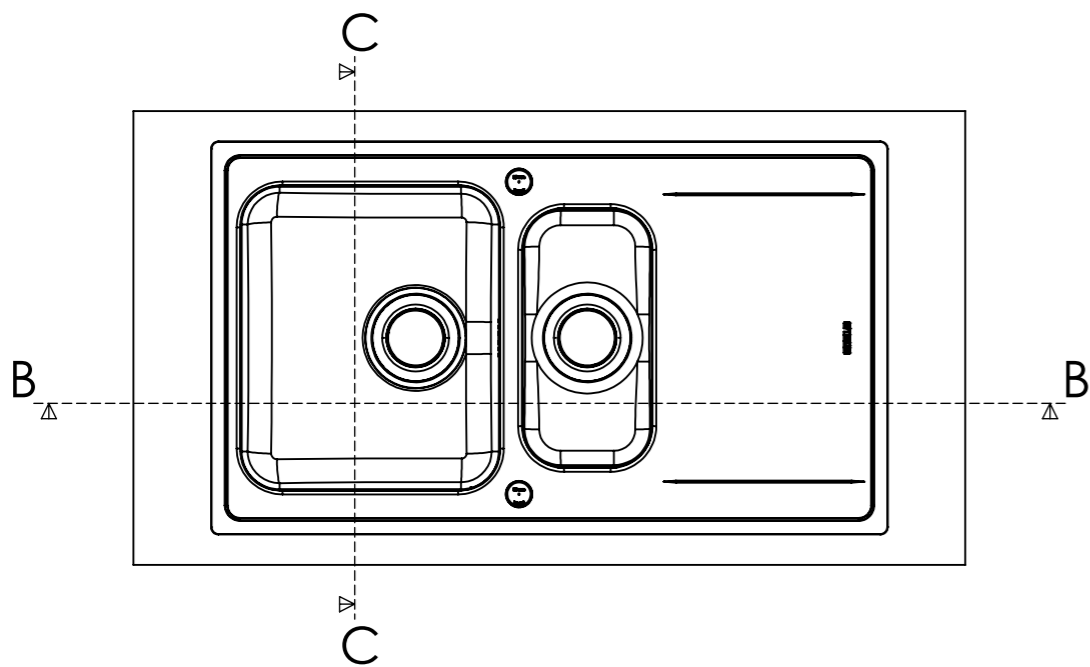
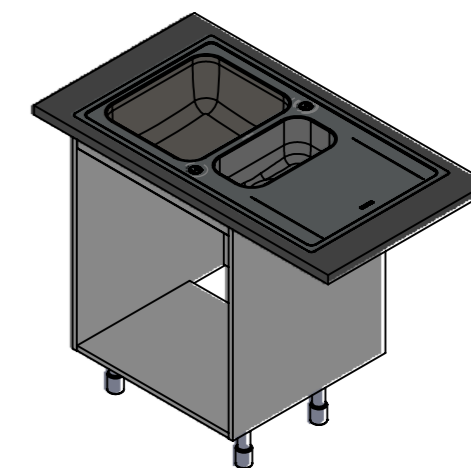
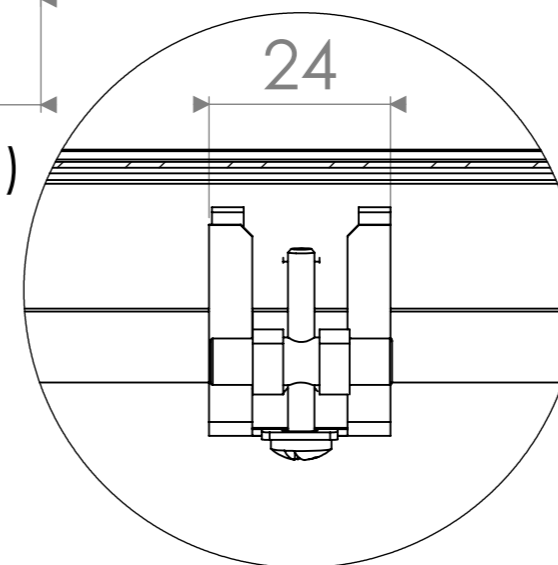


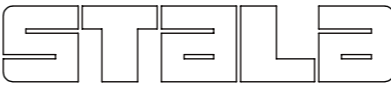
Huom!
Tarvittaessa kaapin väliseinää ja etu/takalistaa lovetettava kiinnikkeitä varten ja pesuallas on kiinnitettävä ennen työtason asennusta.

Obs!
Vid behov måste en inskärning för hofästena göras i skåpets mellanvägg och förbindningslist och diskbänken måste fästas innan du monterar bänkskivan.

Notice!
The partition walls and front/back list of the cupboard must be notched for the sink mountings when needed and the sink must be fastened before installing the worktop.

E (1 : 1)



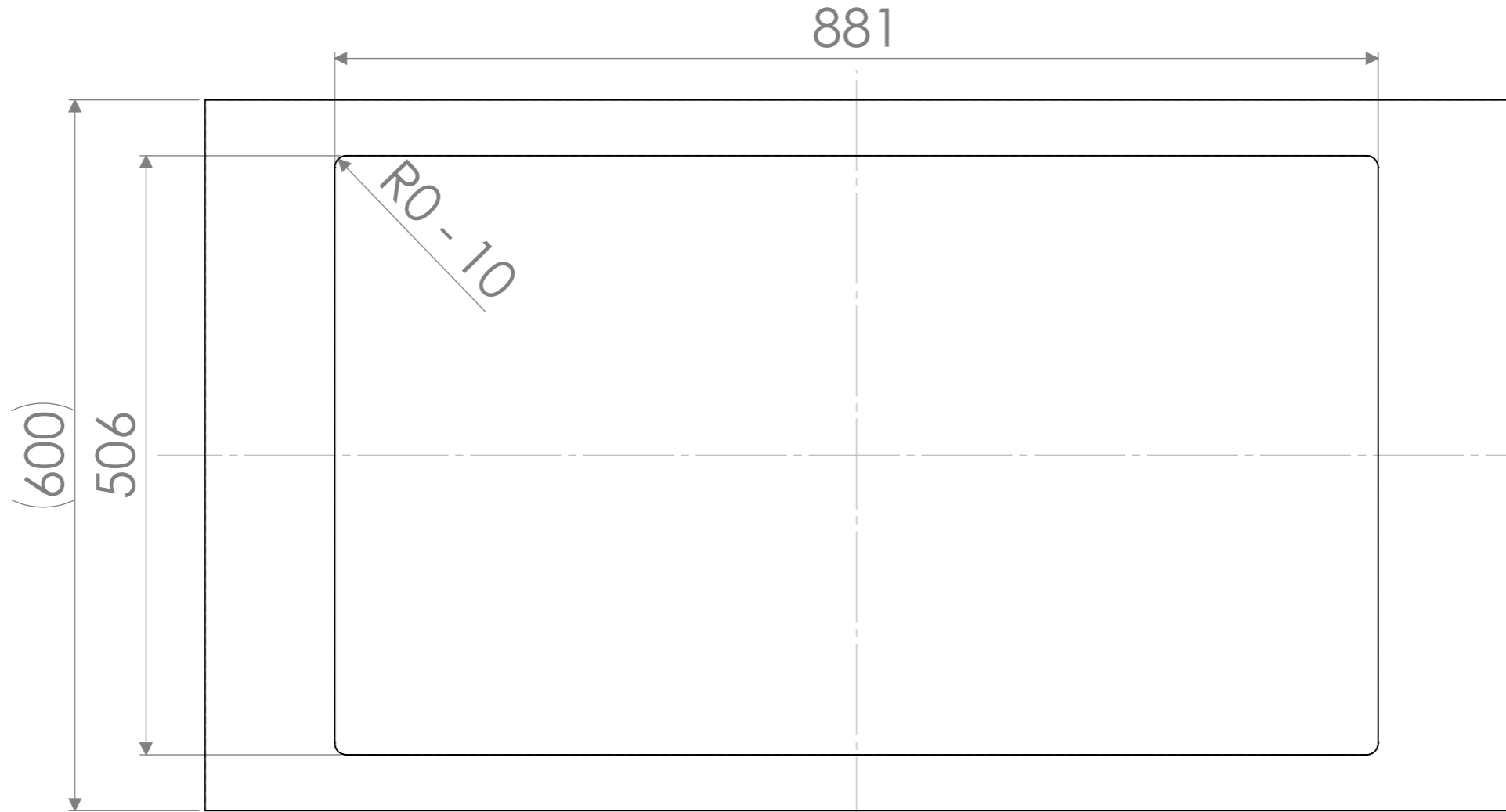
 www.stala.com	Mass 32.84 kg	General tolerance ISO-2768-m	Designed by JP	Date 18.6.2007
	Size A3	Scale 1:10	Item EASE	Approved by
Description MF-40-17S			Drawing number 10101	Sheet/sheets 3/6
Technical Data Sheet			Rev P	

CUT - OUT FOR BUILD ON

Change description
Siphon updated

Date
11.06.2020

Designed by
VS



Mass
32.84 kg

General tolerance
ISO-2768-m

Designed by
JP

Date
18.6.2007

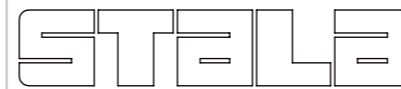
Size
A3

Scale
1:5

Item
EASE

Approved by

Date



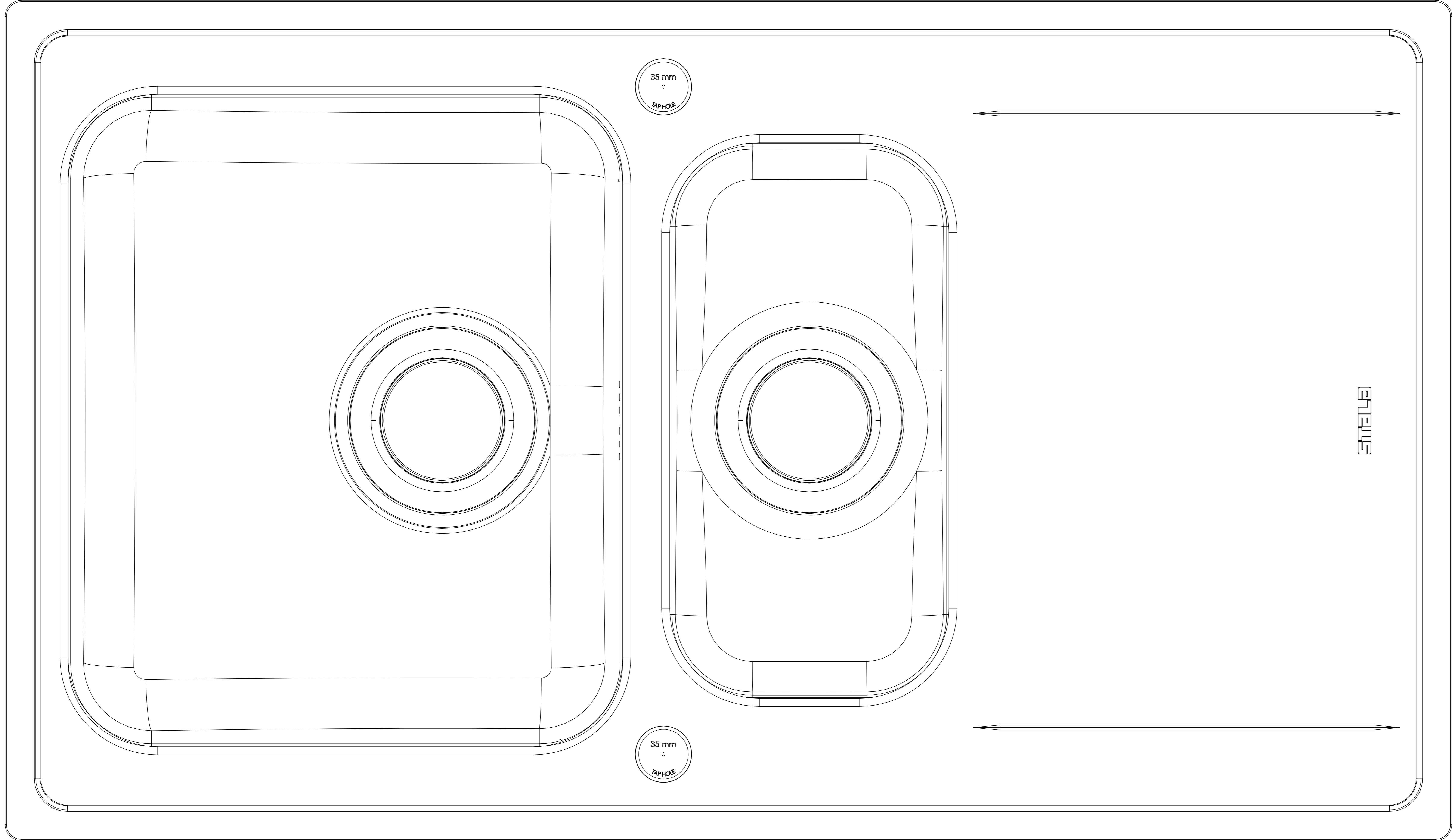
www.stala.com

Description
MF-40-17S
Technical Data Sheet

Drawing number
10101

Sheet/sheets
4/6

Rev
P



35 mm
○
ZPHOS

35 mm
○
ZPHOS

STELLA

